

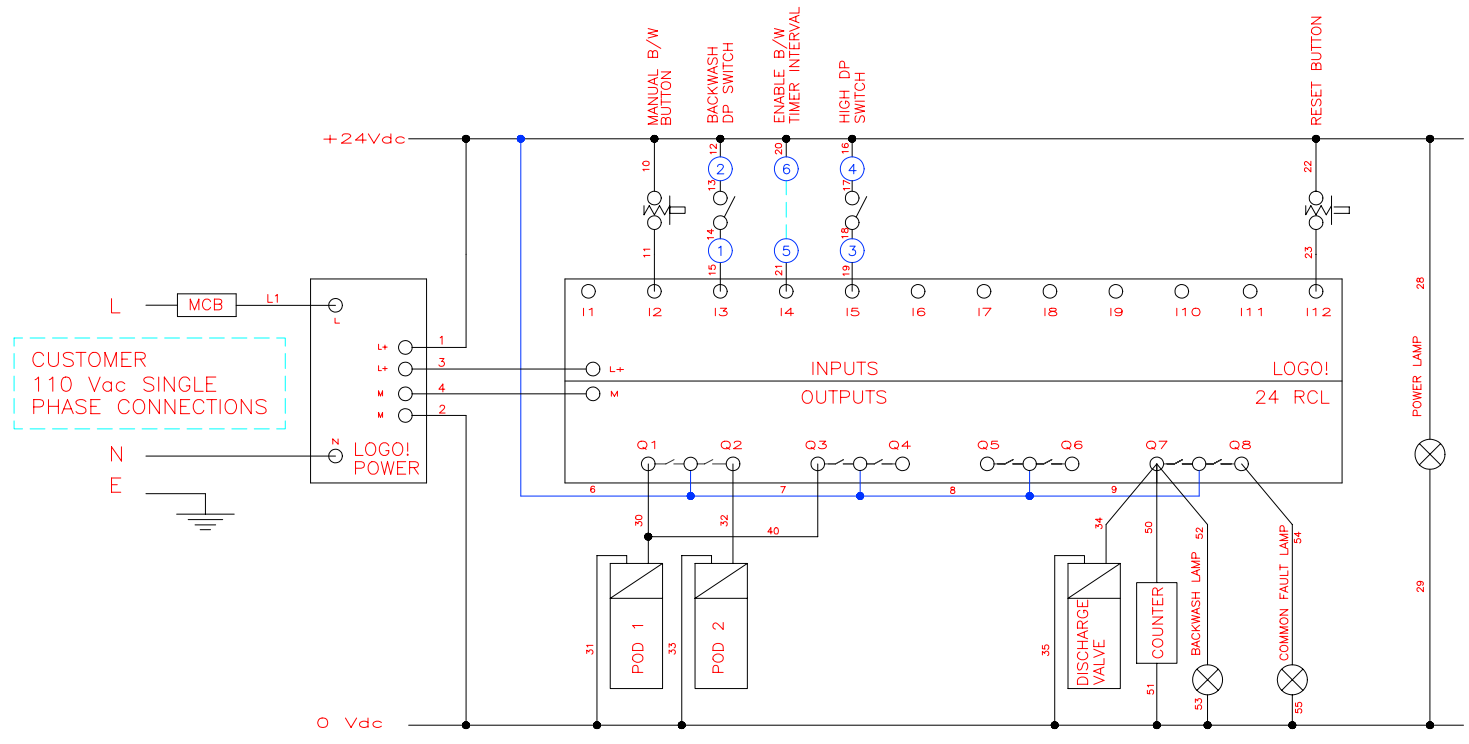
MACHINING LIMITS TO BE +/- .010"
UNLESS OTHERWISE STATED

ISSUE NO	1	2	3						
DATE	21 NOV 01	23 NOV 01	23 NOV 01						

THIRD ANGLE PROJECTION

ISSUE CONTROL NOTES
 ISSUE 1 ORIGINAL
 ISSUE 2 GENERIC VERSION (V2.0)
 ISSUE 3 POD 1 REPEAT LINK PERMANENTLY ADDED

KEY:
 68 CABLE NUMBERS
 7 TERMINAL NUMBERS



CROSS MANUFACTURING CO (1938) LTD
 MIDFORD ROAD
 BATH BA2 5RR
 ENGLAND

TITLE
 EASyclean Duplex System Backwash
 Generic Wiring Diagram

MATL	DRAWN	WFSH
SPEC AS DWG	CHECKED	WFSH
NO. OFF	DATE	21 NOV 01

No. ZG 10122