

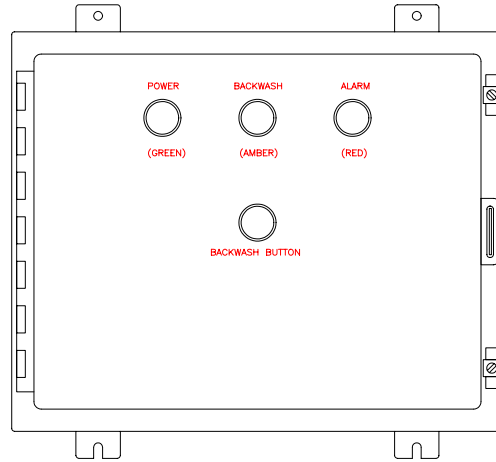
MACHINING LIMITS TO BE +/- .010"
UNLESS OTHERWISE STATED

| | |
|----------|---------|
| ISSUE NO | 1 |
| DATE | 23/2/00 |

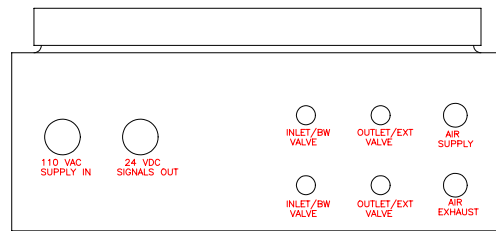
THIRD ANGLE PROJECTION

ISSUE CONTROL NOTES

ISSUE 1 ORIGINAL



LAYOUT OF PANEL DOOR



LAYOUT OF PNEUMATIC CONNECTIONS
ON BASE OF PANEL

CROSS MANUFACTURING CO (1938) LTD
MIDFORD ROAD
BATH BA2 5RR
ENGLAND

TITLE
EASYCLEAN SIMPLEX EXT BACKWASH
PANEL FITTINGS LAYOUT

| | | |
|---------|--------|---------|
| MATL | DRAWN | WFSH |
| SPEC | AS DWG | CHECKED |
| NO. OFF | DATE | 23/2/00 |

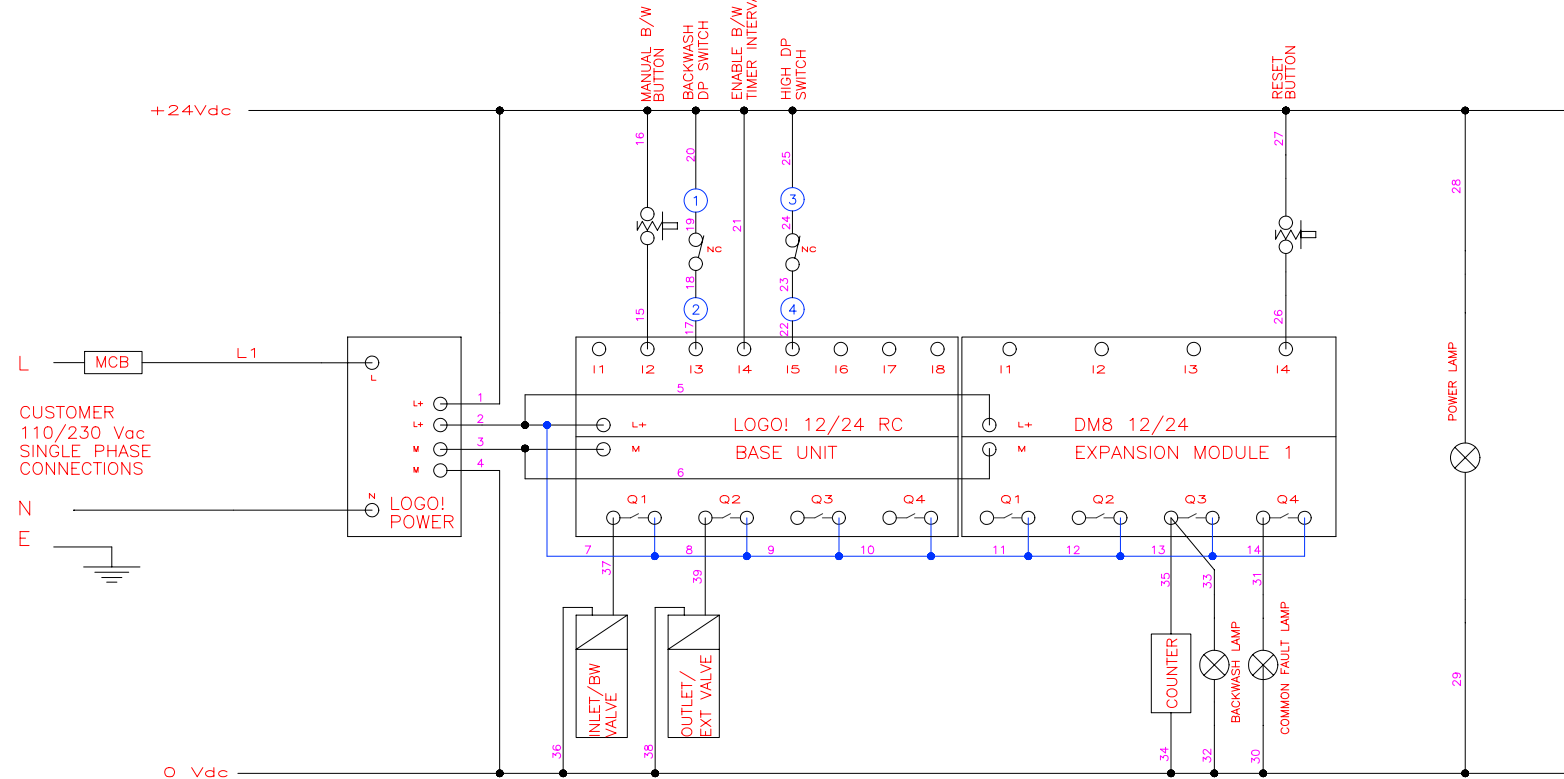
No. ZG 10047

MACHINING LIMITS TO BE +/- .010"
UNLESS OTHERWISE STATED

| | | | | | | | | | |
|----------|-----------|-----------|--|--|--|--|--|--|--|
| ISSUE NO | 1 | 2 | | | | | | | |
| DATE | 11 APR 03 | 17 JUN 04 | | | | | | | |

THIRD ANGLE PROJECTION

ISSUE CONTROL NOTES
ISSUE 1 ORIGINAL
ISSUE 2 OBA 4



⑨ TERMINAL NUMBER
23 CABLE NUMBER

ZERO GRAVITY FILTERS
4141 BAUER ROAD
BRIGHTON, MI 48116
USA

TITLE EASYSIMPLEX EXTERNAL BACKWASH
GENERIC WIRING DIAGRAM

| | | |
|---------|---------|-----------|
| MATL | DRAWN | SRC |
| SPEC | CHECKED | SRC |
| NO. OFF | DATE | 17 JUN 04 |

No. ZG 10123